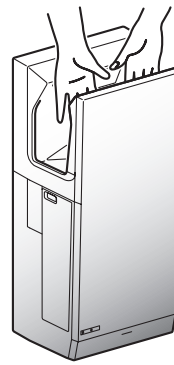


Jet Towel Hand dryer

MODEL

JT-SB216JSH-W-E	Heater Model
JT-SB216JSH-H-E	
JT-SB216JSH-S-E	
JT-SB216KSN-W-E	Heater-less Model

Appliance color	-W(White), -H(Dark grey), -S(Silver)
-----------------	--------------------------------------



Model Name
Display Position
Power voltage
display position.



Single-phase 220-240VAC

INSTALLATION MANUAL

For Dealers and Installers

Read this manual thoroughly before beginning installation to ensure the appliance is installed safely and correctly. Local installation standards should be obeyed and installation should be performed by the dealer or a qualified professional.

The "INSTRUCTION MANUAL" is for the customer. Be sure to hand it to the customer.

INDEX

Safety Precautions	2
Pre-installation checks	3
■ Checking the installation environment	3
■ Checking the appliance, accessories, and items required for installation ...	3
Names of parts and external dimensions	4
Installation conditions	5
■ Required space for installation	5
■ Suitable walls	5
■ Making the appliance easier to use	5
Installation method	6~10
Test Run	11

Safety Precautions



Warning

The following may lead to death or serious personal injury if the appliance is handled incorrectly.

 Prohibited	<ul style="list-style-type: none"> Do not install in locations where salt damage may occur, or where corrosive, neutral, or reductive gases are present. This may cause malfunctions. Do not scratch, damage, process, excessively bend, pull, twist or bundle the power cable, and do not place heavy objects onto it or trap it. Doing so may damage the power cable, causing fires or electric shocks. 	 Follow instructions	<ul style="list-style-type: none"> Electrical wiring work should be done by a certified professional in conformance with the technical standards for the equipment or official standards. Incorrect wiring can cause electric shocks and fires. Use single-phase 220-240V power. Using the incorrect power supply may cause fires, electric shocks or malfunctions. Use exclusive wiring Using this appliance with other devices on a branch socket may cause abnormal heat, which may cause fires. Be sure to install a ground-fault circuit interrupter. Not doing so may result in electric shocks. A means for disconnection must be incorporated in the fixed wiring in accordance with the wiring rules.
 Do not disassemble	<ul style="list-style-type: none"> Do not attempt any disassembly or modification of the appliance that is not expressly stated in this manual. Doing so may result in fires, electric shocks or injuries. 		
 Do not use in the bathroom/shower room	<ul style="list-style-type: none"> Do not use in a hot location such as a shower room, where condensation may form on the appliance, or where water may splash directly onto the appliance. This may cause electric shocks or malfunctions. 		



Cautions

The following may lead to injury or damage to property if the appliance is handled incorrectly.

 Prohibited	<ul style="list-style-type: none"> Do not install when the product (power cable) is electrified. Doing so may result in electric shocks. 	 Follow instructions	<ul style="list-style-type: none"> Install securely in a location strong enough to support the weight of the appliance. Injuries may be caused if the appliance falls off the wall. Wear gloves when installing the appliance. Not doing so may result in injuries.
----------------	---	-------------------------	---

Pre-installation checks

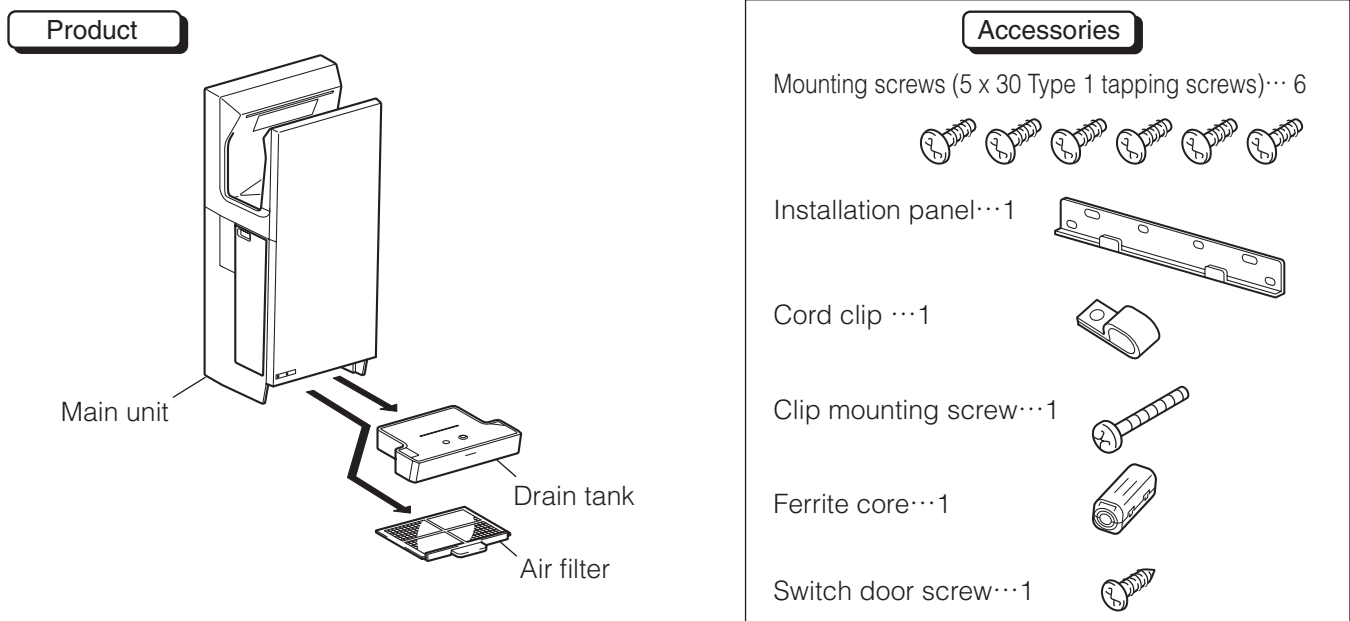
■ Checking the installation environment

Do not install in the following types of location.

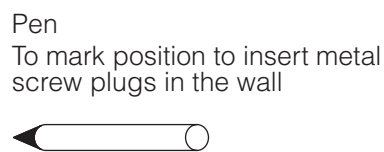
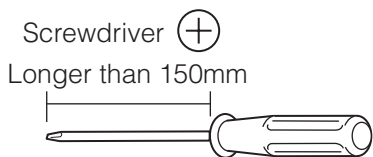
(This may cause malfunctions.)

- Outdoors
- Locations where the temperature could be lower than 0°C.
- Locations where there is a lot of dust
- Locations where the temperature could be higher than 40°C
- Locations where there is a lot of condensation
- Locations where salt damage could occur
- Vehicles (including ships and airplanes)
- Locations where corrosive, neutral, or reductive gases are present
- Near food or tableware
- Kitchens
- Locations where the appliance may come into direct contact with water (Where there is a risk of water splashing)
- Locations where the appliance is direct sunlight or strong light. (May cause the sensor to malfunction)
- Rooms that have a sterilization basin, swimming pools, bathrooms.

■ Check the appliance, accessories, and items required for installation

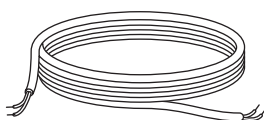


Required items



■ Prepare if required

Single wire for internal wiring
(Cable core: between 1.0mm² and 2.5mm²)



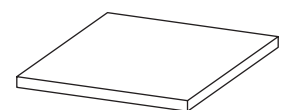
※ Not needed if the internal wiring is complete

SCREW ANCHOR x 6



※ Use on concrete walls

Wall reinforcement



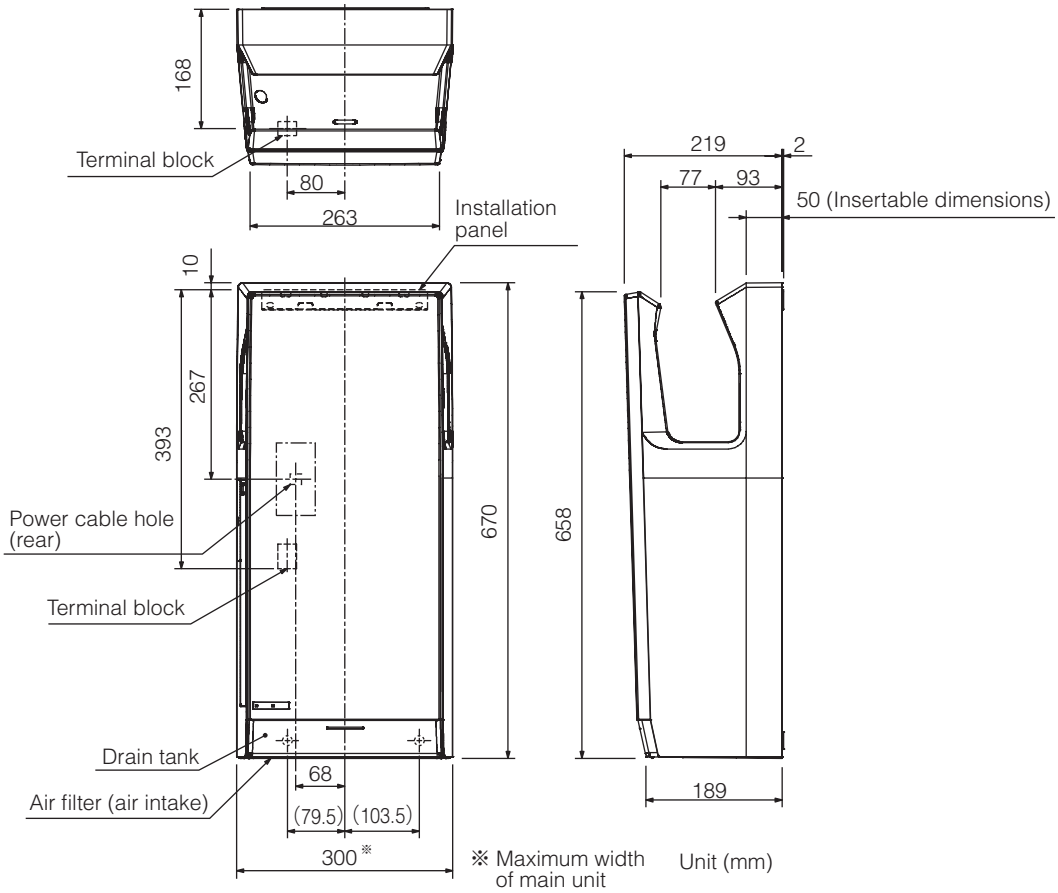
※ Reinforces walls made of materials other than concrete

■ Check the heater settings and air speed settings (JT-SB216JSH type only)

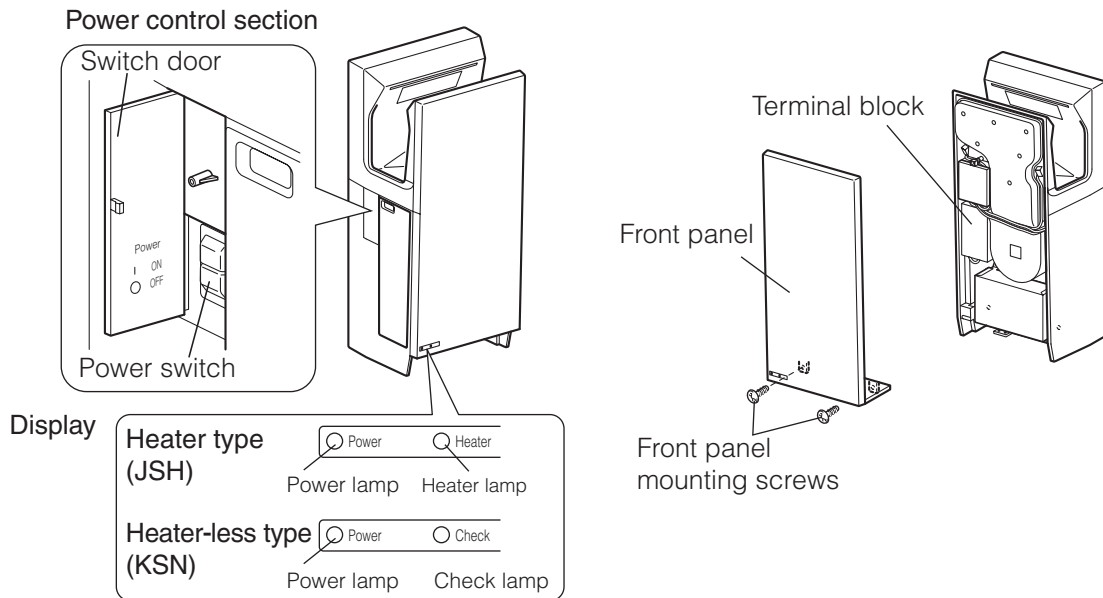
Check the heater ON/OFF settings and air speed HIGH/STANDARD settings with the customer beforehand.

(The customer cannot adjust the settings after installation is complete.)

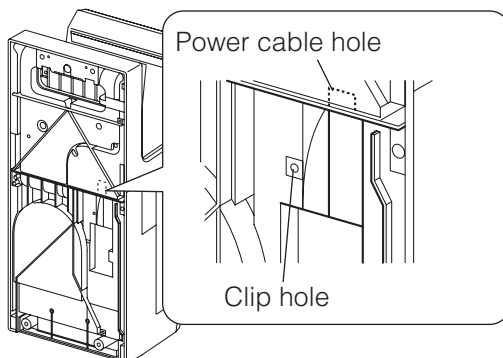
Names of parts and external dimensions



■ Front



■ Rear

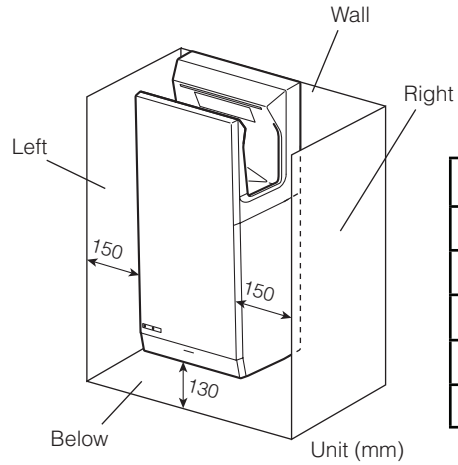


Installation conditions

Required space for installation

Cautions

- Be sure to secure at least the distances listed in the right-hand table from walls, flammable (combustible) materials and so on.
- Ensure a distance of at least 130mm from the floor. Failure to do so may result in dirt or water entering the appliance, causing damage.
- Ensure there is at least 150mm on both sides of the appliance to allow for maintenance.



Location	Clearance
Top	Open
Left	150mm
Right	150mm
Front	Open
Below	130mm

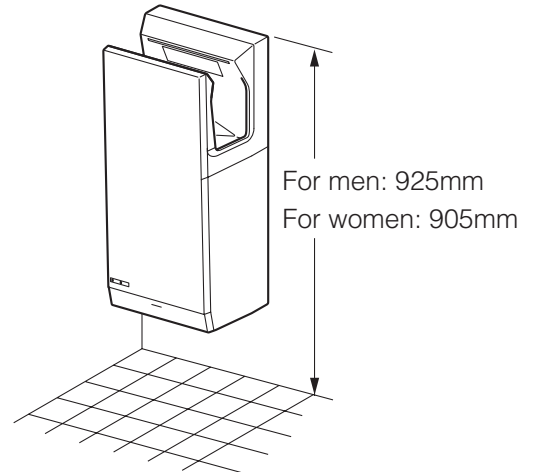
Suitable walls

- Flat walls with no unevenness.
- Walls that can support the weight of the appliance.
- Reinforce any walls made with materials other than concrete.
- When installing on a concrete wall, use commercially available metal screw anchors.

Making the appliance easier to use

- Refer to the "Installation position guide".
- Leave at least 200mm clearance on the left to make maintenance easier.
- Avoid locations where people or doors might bump into the appliance.

Installation position guide



Installation method



Warning

- Use single-phase 220-240V power.

Using the incorrect power supply may cause fires, electric shocks or malfunctions.



Caution

- Do not install when the product (power cable) is electrified.

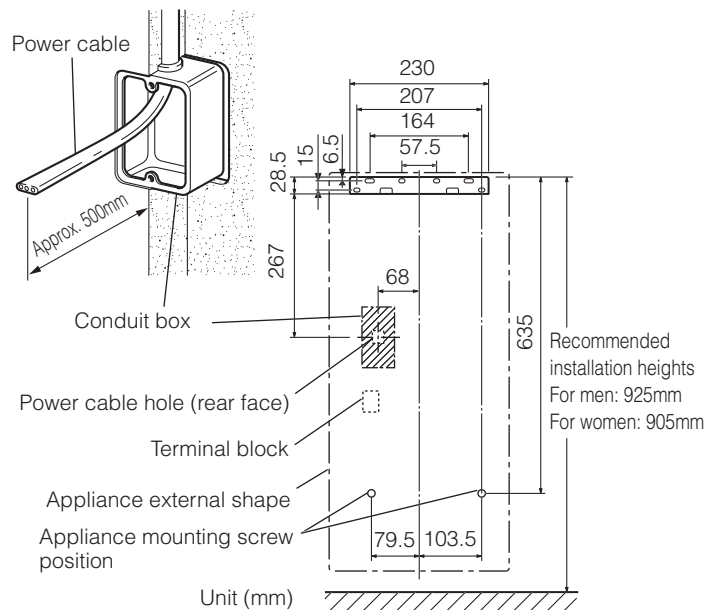
Doing so may result in electric shocks.

Check

- Single-phase 220-240V power is being used.
- Make sure that a ground-fault circuit interrupter is installed in the fixed wiring.
- A single wire (cable core: between 1.0mm² and 2.5mm²) is being used for the power cable.

Make sure that a means for disconnection is incorporated in the fixed wiring in accordance with the wiring rules.

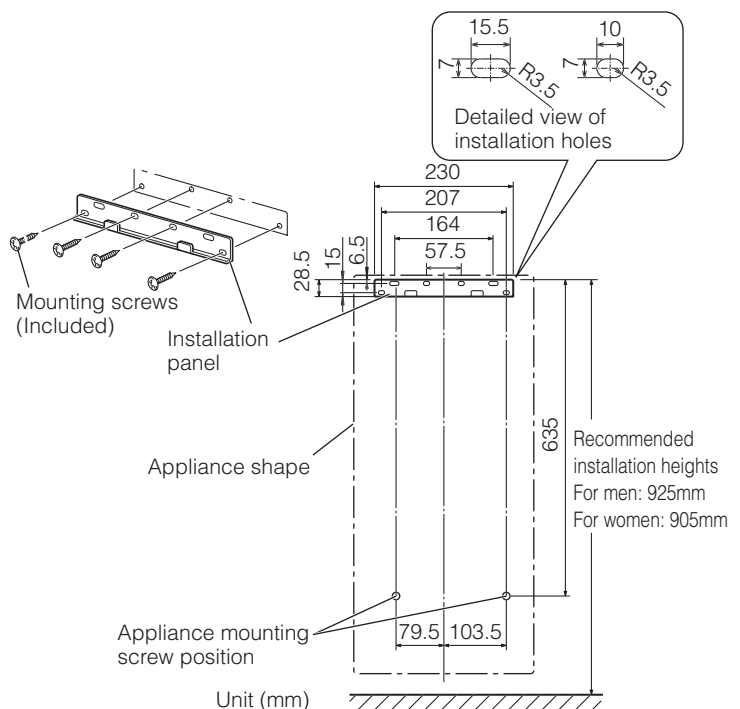
- Follow the illustration on the right for the internal wiring.



1

Fix the installation panel to the wall using the 4 mounting screws.

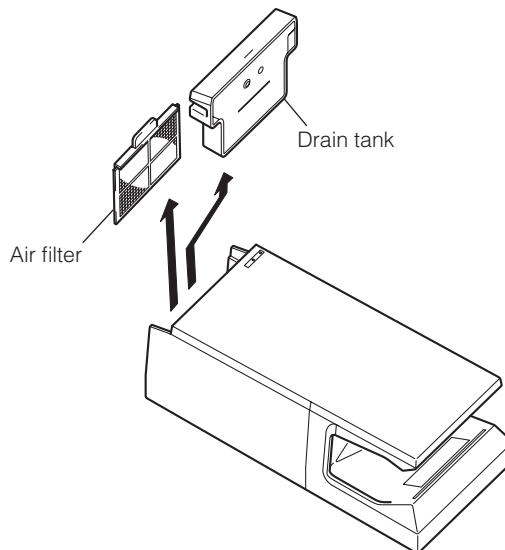
- The position illustrated on the right is recommended.
- Use commercially available screw anchors when installing the appliance on a concrete wall.
- Reinforce any walls made with materials other than concrete before installation.
- Leave a space of at least 130mm below the appliance. Dirt or water sucked into the appliance may damage it.



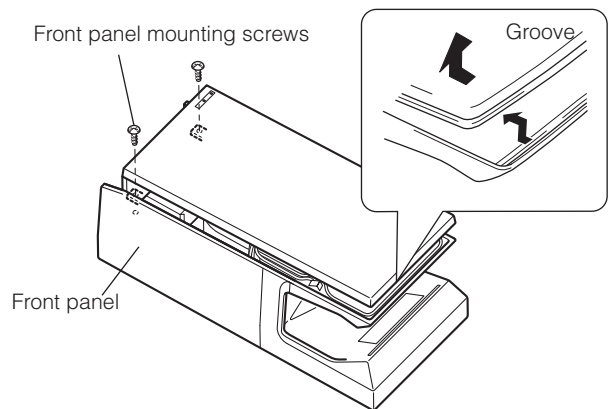
2

Installation (Continued)

1. Remove the drain tank and air filter.

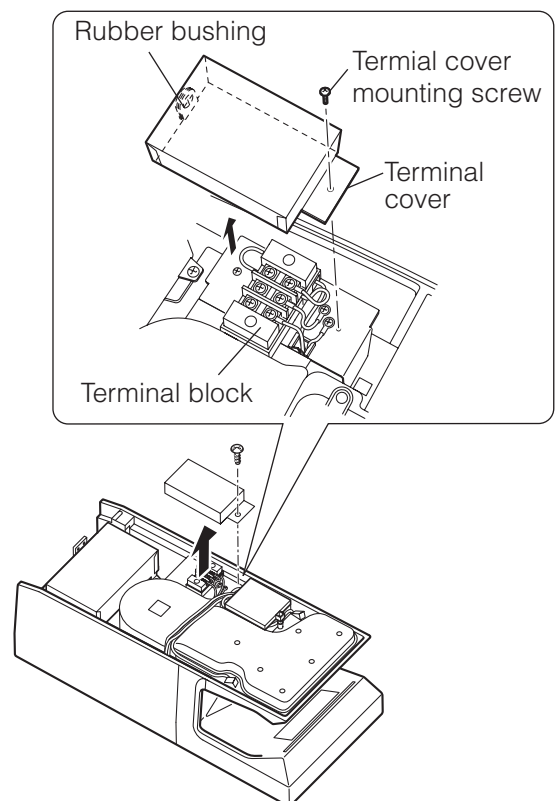


2. Remove the front panel mounting screws (2), and remove the front panel.



3. Remove the terminal cover mounting screw (1), and remove the terminal cover.

※ Be careful not to lose the rubber bushing.

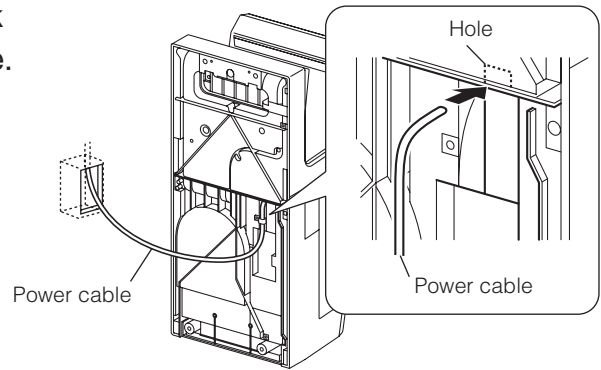


3

Installation (Continued)

4

Run the power cable through the hole in the back of the appliance, and pull it through the appliance.

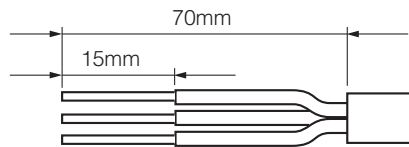


Warning

- Use single-phase 220-240V power.
Using the incorrect power supply may cause fires, electric shocks or malfunctions.

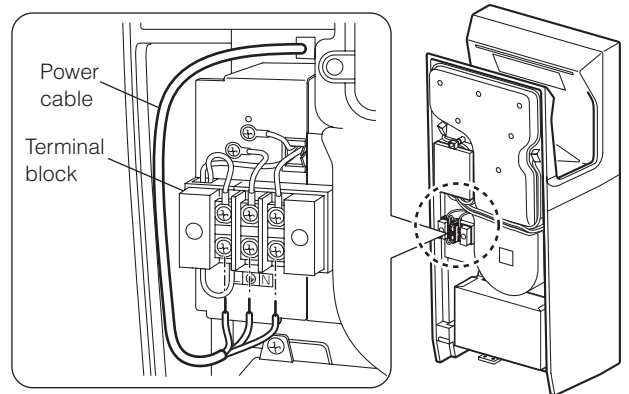
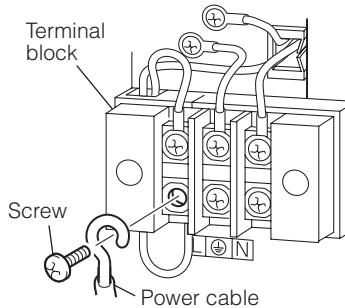
Wire it to the terminal block. (No polarity)

1. Remove 15mm of wire sheath from the end.



2. Screw the power cable to the terminal block.

- Proper torque is 1.2Nm(11 lbf-in)

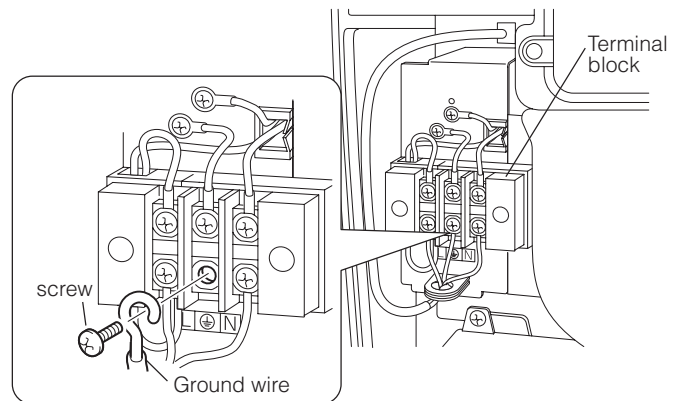


5

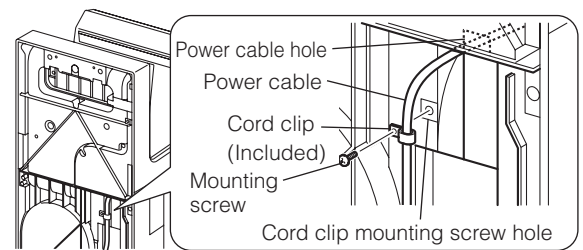
3. Check that the power cable is securely fixed to the terminal block.

4. Wire the ground wire to the center terminal of the terminal block.

- Proper torque is 1.2Nm(11 lbf-in)



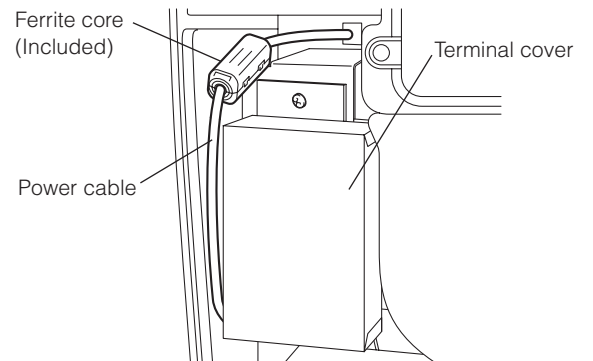
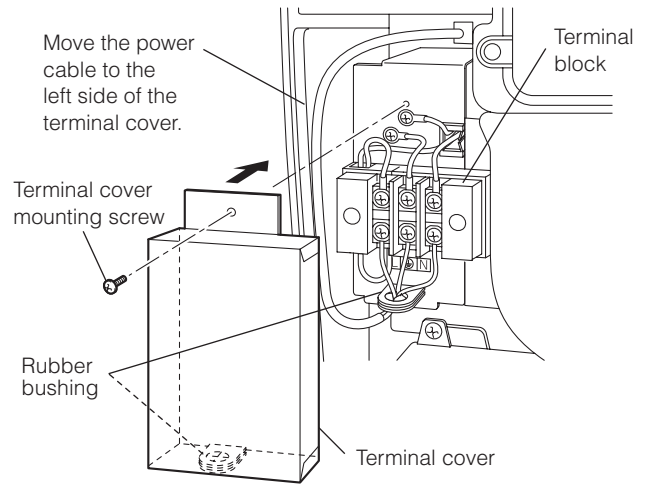
5. Clip and screw the power cable into the position shown on the right.



Installation (Continued)

6

1. Run the power cable through the rubber bushing, and attach the rubber bushing to the terminal cover.
2. Attach the terminal cover to the main unit using the terminal cover mounting screw.
3. Move the power cable to the left side of the terminal cover.
4. Check that the power cable and wires are not pinched anywhere.
5. Open the ferrite core.
6. Pass the power cable through the ferrite core, and close it.
 - Place the ferrite core on the outside of the terminal cover.
7. Check that the ferrite core is securely installed.

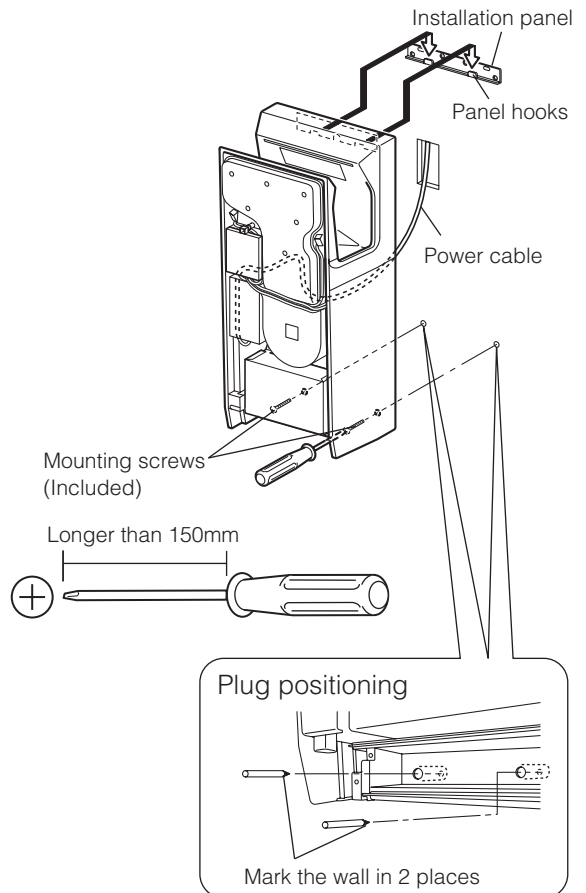


7

Fix the main unit in place.

1. Engage the panel hooks of the installation panel (2 hooks) on the back of the appliance.
 - If the wall is concrete, use commercially available metal screw plugs.
 - See "Plug Positioning" for details of where to insert the plugs.
 - Use a screwdriver that is longer than 150mm.
2. Check that the power cable is not trapped behind the main unit.
 - Adjust the length of the power cable in the switch box so that the power cable does not become trapped.
3. Gently press the appliance onto the wall, and fix it in place using 2 mounting screws.

- Cautions**
- If you are using commercially available ϕ 4 screws, use a washer (external diameter ϕ 10 or less) to prevent looseness.



8

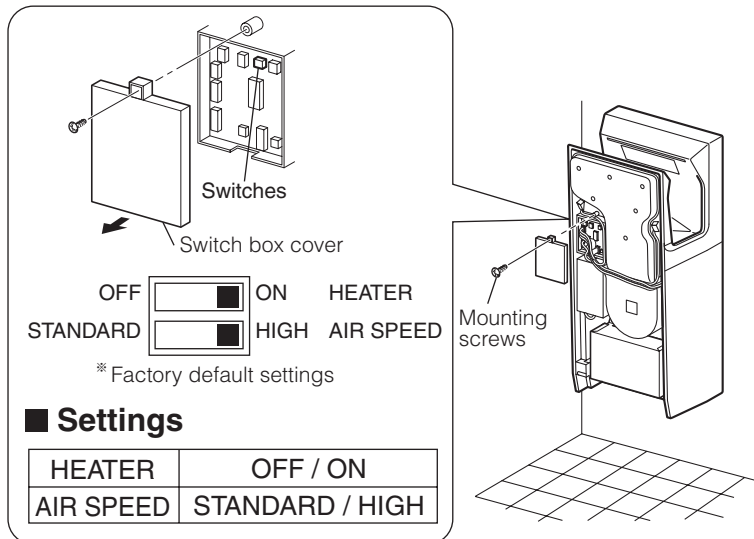
- Switching the air speed switch and heater switch settings
Check the heater ON/OFF settings and air speed HIGH/STANDARD settings with the customer beforehand.
(The user cannot adjust the settings after installation is complete.)
(The JT-SB216KSN-W-E does not have an air volume switch or heater switch.)



Cautions

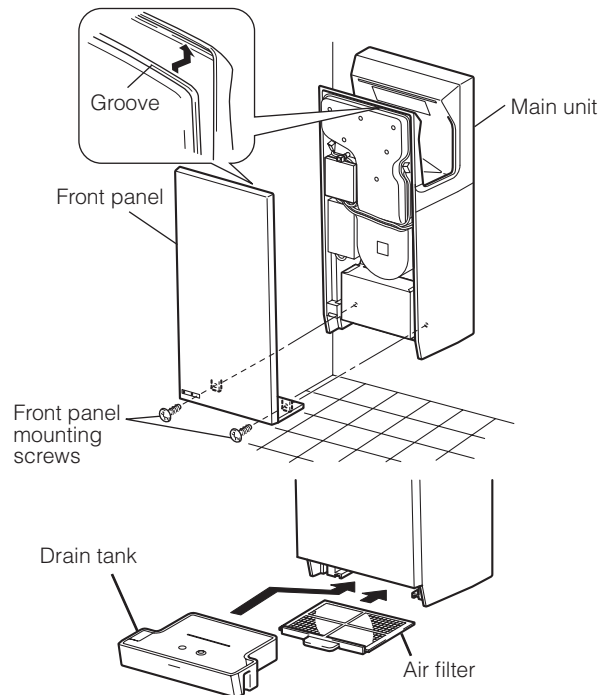
- Do not install when the product (power cord) is electrified.
Doing so may result in electric shocks.

1. Remove the mounting screw (1) from the switch box cover, and remove the switch box cover.
2. Change the settings.
3. After checking the switches, fix the switch box cover back in its original position.



9

1. Engage the groove of the front panel on the appliance.
2. Reattach the front panel with the front panel mounting screws (2).
3. Check that the front panel is fitted securely.



4. Attach the air filter.
5. Check that the air filter is inserted correctly, all the way to the back.
6. Attach the drain tank.

Test Run

	Step	What to check for	Check
1	Check the power supply voltage	Is single-phase 220-240V power being used? Incorrect power supply may cause malfunctions.	
2	Turn the ground-fault circuit interrupter on		
3	Turn the power switch "ON".	Is the power lamp in the display on?	
4	Insert your hands to check if air is being blown.	Is the air blowing?	
5	Insert your hands to check if warm air is being blown. (Only with the JT-SB216JSH type when the heater is "ON".) (The JT-SB216KSN model does not have a heater)	Is warm air blowing? (If the room temperature is above 30°C, for safety reasons the heater will not operate even if the heater switch is turned on.) ※ As the heater is a simple heater, if the room temperature is less than 18°C, the air may feel cold. Is the heater lamp in the display on?	
6		Is the appliance mounted securely without any vibration or abnormal noises?	

※ Do not turn the power on while hands or other objects are inside the hand drying area.

※ If the display lamp flashes, turn the power switch "OFF", check that all of the lamps on the display section are off, and then wait for 1 minute before switching the power back "ON".

Information on Disposal



Note: This symbol mark is for EU countries only.

This symbol mark is according to the directive 2002/96/EC Article 10 Information for users and Annex IV, and/or to the directive 2006/66/EC Article 20 Information for end-users and Annex II.

English

Your MITSUBISHI ELECTRIC product is designed and manufactured with high quality materials and components which can be recycled and/or reused.

This symbol means that electrical and electronic equipment, batteries and accumulators, at their end-of-life, should be disposed of separately from your household waste.

If a chemical symbol is printed beneath the symbol shown above, this chemical symbol means that the battery or accumulator contains a heavy metal at a certain concentration. This will be indicated as follows:

Hg: mercury (0,0005%), Cd: cadmium (0,002%),
Pb: lead (0,004%)

In the European Union there are separate collection systems for used electrical and electronic products, batteries and accumulators.

Please, dispose of this equipment, batteries and accumulators correctly at your local community waste collection/recycling centre.

Please, help us to conserve the environment we live in!

Deutsch

Ihr MITSUBISHI ELECTRIC-Produkt wurde unter Einsatz von qualitativ hochwertigen Materialien und Komponenten konstruiert und gefertigt, die für Recycling und/oder Wiederverwendung geeignet sind.

Dieses Symbol bedeutet, dass elektrische und elektronische Geräte sowie Batterien und Akkus am Ende ihrer Nutzungsdauer von Hausmüll getrennt zu entsorgen sind.

Wenn ein chemisches Symbol unterhalb des oben abgebildeten Symbols erscheint, bedeutet dies, dass die Batterie bzw. der Akku ein Schwermetall in einer bestimmten Konzentration enthält. Dies wird wie folgt angegeben:

Hg: Quecksilber (0,0005 %), Cd: Cadmium (0,002 %),
Pb: Blei (0,004 %)

In der Europäischen Union gibt es unterschiedliche Sammelsysteme für gebrauchte Elektrik- und Elektronikgeräte einerseits sowie Batterien und Akkus andererseits.

Bitte entsorgen Sie dieses Gerät, Batterien und Akkus vorschriftsmäßig bei Ihrer kommunalen Sammelstelle oder im örtlichen Recycling-Zentrum.

Bitte helfen Sie uns, die Umwelt zu erhalten, in der wir leben!

Italiano

Questo prodotto MITSUBISHI ELECTRIC è stato progettato e fabbricato con materiali e componenti di alta qualità, che possono essere riciclati e/o riutilizzati.

Questo simbolo significa che i prodotti elettrici ed elettronici, le batterie e gli accumulatori, devono essere smaltiti separatamente dai rifiuti casalinghi alla fine della loro vita di servizio.

Se sotto il simbolo mostrato sopra è stampato un simbolo chimico, il simbolo chimico significa che la batteria o l'accumulatore contiene un metallo pesante con una certa concentrazione. Ciò viene indicato come segue:

Hg: mercurio (0,0005%), Cd: cadmio (0,002%),
Pb: piombo (0,004%)

Nell'Unione Europea ci sono sistemi di raccolta differenziata per i prodotti elettrici ed elettronici, le batterie e gli accumulatori usati.

Per disfarsi di questo prodotto, delle batterie e degli accumulatori, portarli al centro locale di raccolta/riciclaggio dei rifiuti.

Aiutateci a conservare l'ambiente in cui viviamo!

Français

Votre produit Mitsubishi Electric est conçu et fabriqué avec des matériels et des composants de qualité supérieure qui peuvent être recyclés et/ou réutilisés.

Ce symbole signifie que les équipements électriques et électroniques, les batteries et les accumulateurs, à la fin de leur durée de service, doivent être éliminés séparément des ordures ménagères.

Si un symbole chimique est imprimé sous le symbole illustré ci-dessus, il signifie que la batterie ou l'accumulateur contient une certaine concentration de métal lourd. Elle sera indiquée comme suit : Hg : mercure (0,0005%), Cd : cadmium (0,002%),
Pb : plomb (0,004%)

Dans l'Union Européenne, il existe des systèmes sélectifs de collecte pour les produits électriques et électroniques, les batteries et les accumulateurs usagés.

Nous vous prions donc de confier cet équipement, ces batteries et ces accumulateurs à votre centre local de collecte/recyclage.

Aidez-nous à conserver l'environnement dans lequel nous vivons !

Les machines ou appareils électriques et électroniques contiennent souvent des matières qui, si elles sont traitées ou éliminées de manière inappropriée, peuvent s'avérer potentiellement dangereuses pour la santé humaine et pour l'environnement.

Cependant, ces matières sont nécessaires au bon fonctionnement de votre appareil ou de votre machine.

Pour cette raison, il vous est demandé de ne pas vous débarrasser de votre appareil ou machine usagé avec vos ordures ménagères.

Español

Su producto MITSUBISHI ELECTRIC está diseñado y fabricado con materiales y componentes de alta calidad que pueden ser reciclados y/o reutilizados.

Este símbolo significa que el aparato eléctrico y electrónico, las pilas, baterías y los acumuladores, al final de su ciclo de vida, se deben tirar separadamente del resto de sus residuos domésticos.

Si hay un símbolo químico impreso debajo del símbolo mostrado arriba, este símbolo químico significa que la pila, batería o el acumulador contienen un metal pesado con cierta concentración. Esto se indicará de la forma siguiente:

Hg: mercurio (0,0005%), Cd: cadmio (0,002%),
Pb: plomo (0,004%)

En la Unión Europea existen sistemas de recogida específicos para productos eléctricos y electrónicos, pilas, baterías y acumuladores usados.

Por favor, deposite los aparatos mencionados, las pilas, baterías y acumuladores en el centro de recogida/reciclado de residuos de su lugar de residencia local cuando quiera tirarlos.

¡Ayúdenos a conservar el medio ambiente!

Português

O seu produto MITSUBISHI ELECTRIC foi concebido e produzido com materiais e componentes de alta qualidade que podem ser reciclados e/ou reutilizados.

Este símbolo significa que o equipamento eléctrico e electrónico, as baterias e os acumuladores, no final da sua vida útil, devem ser deitados fora separadamente do lixo doméstico.

Se houver um símbolo químico impresso por baixo do símbolo mostrado acima, o símbolo químico indica que a bateria ou acumulador contém metais pesados numa determinada concentração. Isto aparecerá indicado da maneira seguinte:

Hg: mercúrio (0,0005%), Cd: cádmio (0,002%),
Pb: chumbo (0,004%)

Na União Europeia existem sistemas de recolha separados para produtos eléctricos e electrónicos, baterias e acumuladores usados.

Por favor, entregue este equipamento, as baterias e os acumuladores correctamente, no seu ponto local de recolha/reciclagem.

Por favor, ajude-nos a conservar o ambiente em que vivemos!



Svenska

Denna produkt från MITSUBISHI ELECTRIC är designad och tillverkad av material och komponenter med hög kvalitet som kan återvinnas och/eller återanvändas.

Denna symbol betyder att förbrukade elektriska och elektroniska produkter, batterier och ackumulatörer skall sorteras och hanteras separat från hushållsavfall.

Om det finns en kemisk beteckning tryckt under ovanstående symbol betyder det att batteriet eller ackumulatören innehåller en tungmetall med en viss koncentration. Detta anges på följande sätt:

Hg: kvicksilver (0,0005%), Cd: kadmium (0,002%),
Pb: bly (0,004%)

Inom den Europeiska Unionen finns det separata insamlingsssystem för begagnade elektriska och elektroniska produkter, batterier och ackumulatörer.

Var vänlig lämna denna produkt, batterier och ackumulatörer hos din lokala mottagningsstation för avfall och återvinning.

Var snäll och hjälp oss att bevara miljön vi lever i!

Dansk

Dit produkt fra MITSUBISHI ELECTRIC er designet og fremstillet med kvalitetsmaterialer og komponenter, der kan genindvindes og/eller genbruges.

Dette symbol viser, at elektrisk eller elektronisk udstyr, batterier og akkumulatører ikke må bortskaffes sammen med almindeligt husholdningsaffald efter endt levetid.

Hvis der er trykt et kemisk symbol under symbolet ovenfor, betyder det, at batteriet eller akkumulatøren indeholder en bestemt koncentration af et tungmetal. Dette angives som følger:

Hg: kviksølv (0,0005 %), Cd: cadmium (0,002 %),
Pb: bly (0,004 %)

I EU er der særlige indsamlingsordninger for brugte elektriske og elektroniske produkter, batterier og akkumulatører.

Bortskaf udstyret, batterier og akkumulatører korrekt på en lokal affalds-/genbrugsplads.

Hjælp os med at bevare det miljø, vi lever i!

Norsk

For norske brukere:

Dette produktet fra MITSUBISHI ELECTRIC er konstruert og produsert med materialer og komponenter av høy kvalitet, som kan resirkuleres og/eller brukes om igjen.

Dette symbolet betyr at elektrisk og elektronisk utstyr, batterier og akkumulatører, ikke bør kasseres sammen med husholdningsavfallet når de har nådd slutten av sin levetid.

Hvis det er trykt et kjemisk symbol under det symbolet som er vist over, betyr det kjemiske symbolet at batteriet eller akkumulatøren inneholder et tungmetall i en viss konsentrasjon. Dette vil vises som følger:

Hg: kvikksølv (0,0005 %), Cd: kadmium (0,002 %),
Pb: bly (0,004 %)

I Norge finnes det egne innsamlingsystemer for brukte elektriske og elektroniske produkter, batterier og akkumulatører.

Kasser dette utstyret, batteriene og akkumulatorene ved den lokale gjenbruks- eller resirkuleringsstasjonen.

Hjelp oss å bevare det miljøet vi lever i!

Suomi

Tämä MITSUBISHI ELECTRIC -tuote on suunniteltu ja valmistettu korkealuokkaisista materiaaleista ja/tai osista, jotka voidaan kierrättää ja käyttää uudelleen.

Tämä symboli tarkoittaa, että sähkö- ja elektroniikkalaitteet, paristot ja akut täytyy niiden käyttöään jälkeen hävittää erillään talousjätteistä.

Jos yllä olevan symbolin alapuolelle on painettu kemiallinen symboli, se tarkoittaa, että paristolla tai akulla on tietty raskasmetallipitoisuus. Se ilmoitetaan seuraavasti:

Hg: elohopea (0,0005 %), Cd: kadmium (0,002 %),
Pb: lyijy (0,004 %)

Käytetyillä sähkö- ja elektroniikkalaitteilla, paristoilla ja akuilla on Euroopan Yhteisössä omat keräysjärjestelmänsä.

Toimita tämä laite, paristot ja akut paikalliseen jätehuolto-/kierrätyskeskukseen.

Auta meitä suojelemaan ympäristöä, jossa elämme!

Nederlands

Mitsubishi Electric producten zijn ontwikkeld en gefabriceerd uit eerste kwaliteit materialen. De onderdelen kunnen worden gerecycled en/of worden hergebruikt.

Het symbool betekent dat de elektrische en elektronische onderdelen, batterijen en accu's op het einde van de gebruiksduur gescheiden van het huishoudelijk afval moeten worden ingezameld. Wanneer er onder het bovenstaande symbool een chemisch symbool staat gedrukt, betekent dit dat de batterij of accu zware metalen in een bepaalde concentratie bevat. Dit wordt als volgt aangeduid:

Hg: kwik (0,0005%), Cd: cadmium (0,002%),
Pb: lood (0,004%)

In de Europese Unie worden elektrische en elektronische producten, batterijen en accu's afzonderlijk ingezameld.

Breng deze apparatuur, batterijen en accu's dan naar het gemeentelijke afvalinzamelingspunt.

Help ons mee het milieu te beschermen!

Ελληνικά

Το προϊόν MITSUBISHI ELECTRIC που διαθέτετε είναι σχεδιασμένο και κατασκευασμένο από υλικά και εξαρτήματα υψηλής ποιότητας, τα οποία μπορούν να ανακυκλωθούν ή/και να χρησιμοποιηθούν ξανά.

Το σύμβολο αυτό σημαίνει ότι ο ηλεκτρικός και ηλεκτρονικός εξοπλισμός, οι μπαταρίες και οι συσσωρευτές, στο τέλος της διάρκειας ζωής τους, θα πρέπει να απορριφτούν ξεχωριστά από τα υπόλοιπα οικιακά απορρίμματα σας.

Αν έχει εκτυπωθεί ένα χημικό σύμβολο κάτω από το σύμβολο που απεικονίζεται ανωτέρω, αυτό το χημικό σύμβολο σημαίνει ότι η μπαταρία ή ο συσσωρευτής περιέχει ένα βαρύ μέταλλο σε ορισμένη συγκέντρωση. Αυτό θα υποδεικνύεται ως ακολούθως:

Hg: υδράργυρος (0,0005%), Cd: κάδμιο (0,002%),
Pb: μόλυβδος (0,004%)

Στην Ευρωπαϊκή Ένωση υπάρχουν ξεχωριστά συστήματα συλλογής για τα χρησιμοποιημένα ηλεκτρικά και ηλεκτρονικά προϊόντα, τις μπαταρίες και τους συσσωρευτές.

Παρακαλούμε διαθέστε αυτόν τον εξοπλισμό, τις μπαταρίες και τους συσσωρευτές στο τοπικό σας κοινοτικό κέντρο συλλογής/ανακύκλωσης απορριμμάτων.

Βοηθήστε μας να προστατεύσουμε το περιβάλλον στο οποίο ζούμε!