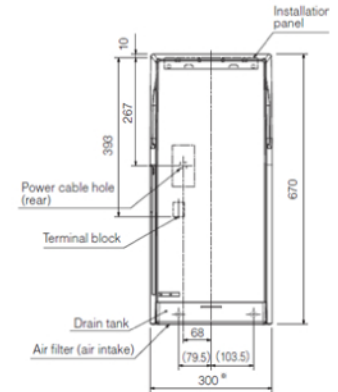


JET TOWEL – UNHEATED

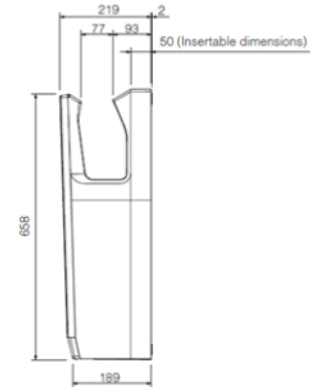
TECHNICAL SPECIFICATION

Colours Available	White – Part No. JT-SB216KSN-W-CE
Casing Construction	Polypropylene – ABS Anti-microbial material
Electrical	Electrical supply: 220-240V AC, Single phase 50Hz Rated Power: 550W Standby: 1W Motor Type: Brushless DC Motor
Operation	Touch-free lower sensor activation, upper exit sensor Hand dry time: 13-15 seconds Operation switch off period: 30 seconds Airflow rate: 98m/s Volume: 58dB
Running Cost per day*	£0.04
Energy used per day*	0.04kWh
CO2 used per day*	0.2kg
(*based on 200 uses per day)	
Filtration	Lifetime anti-microbial filter
IP Rating	IPX4
Unit Weight	11Kg
Unit Dimensions (w/d/h mm)	300 x 219 x 670
Drain Tank Capacity	0.8 Litres
Safety Components	Thermal fuse, over current breaker
Standard Warranty	3 years parts and labour
Recommended Installation Heights <i>(measured from floor to top back plate)</i>	Male: 925 mm Female: 905mm Child/Disabled: 865-915mm

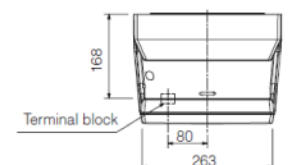
FRONT ELEVATION



SIDE ELEVATION



TOP ELEVATION



For further information contact :

www.o3solutions.com
0800 458 7416
mail@o3solutions.com

GreenSpec®



www.GreenSpec.com